

## W-Z41X-16P

### Stainless Steel Rising Rubber Seated Gate Valve

Size: DN50-DN400

#### Application

Stainless steel Rising Rubber Seated Gate Valves are widely used in municipal facilities, building construction and water source projects in situations where high water quality is required for water supply and drainage systems

#### Features

- Small fluid resistance
- Corrosion-resistant and long service life
- Unrestricted flow direction
- Good sealing performance
- Visible opening degree

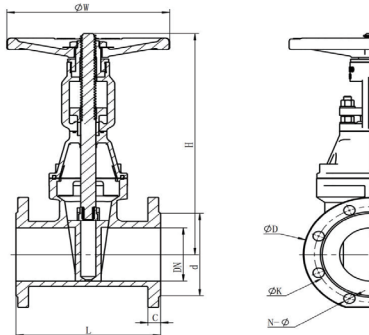
#### Working Principle

By rotating the hand wheel to drive the valve stem to rotate, the lifting of the valve stem nut can be achieved. The gate valve opens or closes through the lifting of the valve stem nut.

#### Material

| Component | Body                | Bonnet              | Wedge        | Stem                |
|-----------|---------------------|---------------------|--------------|---------------------|
| Material  | Stainless Steel CF8 | Stainless Steel CF8 | EPDM coating | Stainless Steel 304 |

#### Dimension



| DN  | L   | D   | d   | C  | f | K   | N-φ    | W   | H    |
|-----|-----|-----|-----|----|---|-----|--------|-----|------|
| 50  | 178 | 160 | 100 | 16 | 2 | 125 | 4-φ18  | 200 | 310  |
| 65  | 190 | 180 | 120 | 18 | 2 | 145 | 4-φ18* | 240 | 340  |
| 80  | 203 | 195 | 135 | 20 | 2 | 160 | 8-φ18  | 240 | 380  |
| 100 | 229 | 215 | 155 | 20 | 2 | 180 | 8-φ18  | 260 | 420  |
| 125 | 254 | 245 | 185 | 22 | 2 | 210 | 8-φ18  | 350 | 560  |
| 150 | 267 | 280 | 210 | 24 | 2 | 240 | 8-φ23  | 400 | 560  |
| 200 | 292 | 335 | 265 | 26 | 2 | 295 | 12-φ23 | 400 | 710  |
| 250 | 330 | 405 | 320 | 26 | 2 | 355 | 12-φ26 | 400 | 910  |
| 300 | 356 | 460 | 378 | 28 | 2 | 410 | 12-φ26 | 400 | 1030 |
| 350 | 381 | 520 | 428 | 30 | 2 | 470 | 16-φ26 | 450 | 1210 |
| 400 | 406 | 580 | 490 | 32 | 2 | 525 | 16-φ30 | 550 | 1380 |

\*Same to the iron flange standard for 4 bolt holes



#### Specification

- Nominal Size: DN50–DN400
- Nominal Pressure: PN16
- Working Temperature: 0℃~80℃
- Working Medium: Water
- Connection: Flange
- Connection Standard: DN50-200 JB/T 79  
DN250-400 HG/T 20592
- Testing Standard: GB/T 13927

#### Model Description

|                   |                        |   |   |   |    |    |   |
|-------------------|------------------------|---|---|---|----|----|---|
| WATTS             | W-                     | Z | 4 | 1 | X- | 16 | P |
| Type:             | Gate Valve             |   |   |   |    |    |   |
| Connection:       | Flange                 |   |   |   |    |    |   |
| Structure:        | Rising Wedge Structure |   |   |   |    |    |   |
| Sealing Material: | Rubber Seated          |   |   |   |    |    |   |
| Nominal Pressure: | 1.6MPa                 |   |   |   |    |    |   |
| Body Material:    | Stainless Steel        |   |   |   |    |    |   |

#### Installation Instructions

1. The valve has no requirements for the direction of flow, and both ends can serve as the inlet or outlet.
2. The valve can be installed horizontally or vertically, instead of downstairs.
3. The force-bearing point should not be placed on the handwheel to avoid bending deformation of the valve stem during hoisting.