

Series W5000

W5000-EN-202409

Stainless Steel Check Valve

Size: DN15-DN100

W5000 series stainless steel check valve is designed to protect against medium backflow. With welding and clamp connection types available for selection, the product is suitable for use in the fields of liquid cooling and industrial application.

Features

- Low resistance
- Convenient maintenance
- De-oiling and de-greasing

Pressure-Temperature

- Nominal pressure: PN10
- Temperature range: -10°C-100°C
- Connection standard: Welding: DIN 11850 / ISO 2037
Clamp: DIN 32676 / ISO 2852
- Test standard: GB/T 13927
- Suitable media: water, ≤50% ethylene glycol

Materials

No.	Part	Material
1	Body	Stainless steel
2	Seal	EPDM(FKM optional)
3	Dsic	Stainless steel
4	Spring	Stainless steel
5	Seat	Stainless steel
6	Clamp	Stainless steel
7	Seal	EDPM(FKM optional)
8	Bonnet	Stainless steel

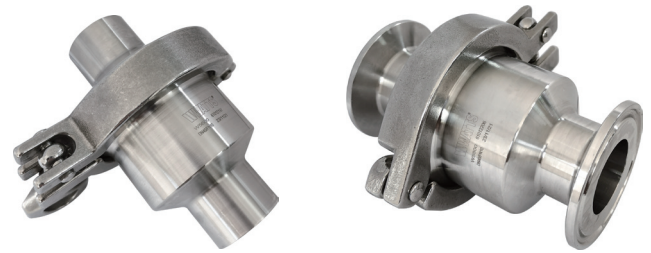
Installation Dimensions

DIN welding

Type	DN	ØD	t	ØA	H
W5600	DN15	19	1.5	72	97
	DN20	23	1.5	72	97
	DN25	29	1.5	72	97
	DN32	35	1.5	72	97
	DN40	41	1.5	87	97
	DN50	53	1.5	102	97
	DN65	70	2	116	97
	DN80	85	2	144.5	101
	DN100	104	2	169.3	103

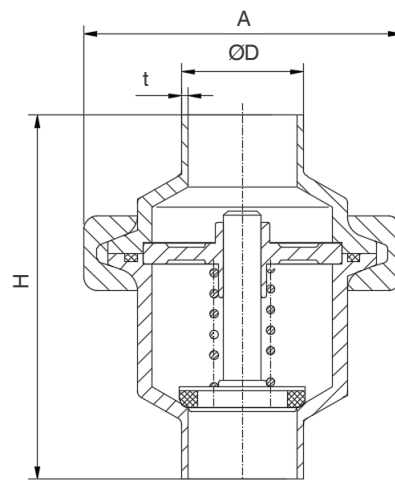
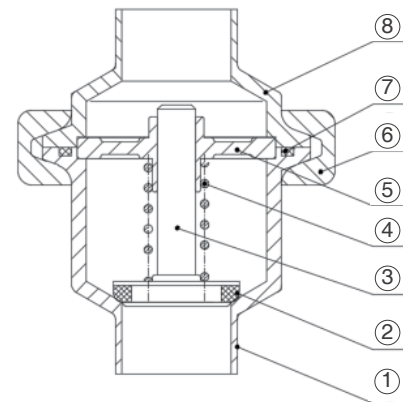
DIN welding

Type	Size	ØD	t	ØA	H
W5600	3/4	19.05	1.5	72	97
	1	25.4	1.5	72	97
	1 1/4	31.8	1.5	72	97
	1 1/2	38.1	1.5	87	97
	2	50.8	1.5	102	97
	2 1/2	63.5	2.0	116	97
	3	76.2	2.0	133.6	97
	3 1/2	88.9	2.0	144.5	101
	4	101.6	2.0	169.3	103



Welding

Clamp



Watts reserves the right to change or modify product design, construction, specifications, or materials without prior notice and without incurring any obligation to make such changes and modifications on Watts products previously or subsequently sold.



DIN clamp

Type	DN	ØD	Ød	ØA	H
W5800	DN15	34	27.5	72	97
	DN20	34	27.5	72	97
	DN25	50.5	43.5	72	97
	DN32	50.5	43.5	72	97
	DN40	50.5	43.5	87	97
	DN50	64	56.5	102	97
	DN65	91	83.5	117	97
	DN80	106	97	144.5	101
	DN100	119	110	157	103

