

Series W-WB551-NPT/BSPT

Brass Y-strainer

Size: DN15-DN50

The Watts Brass Strainer is designed to remove impurities in the medium to protect valve and equipment for normal use. It's generally used in Chilled water and other water treatment applications.

Features

- Low resistance
- Simple structure and convenient installation & cleaning
- Large pollutant-holding volume and convenient pollutant discharge

Pressure - Temperature

- Nominal Pressure: PN25
- Temperature Range: -30°C ~ 95°C

Test Pressures

Hydraulic
 Shell: 37.5 bar
 Seat: 27.5 bar

Typical Application

- Chilled water application
- Water plant and water source project
- Municipal facilities, power utilities

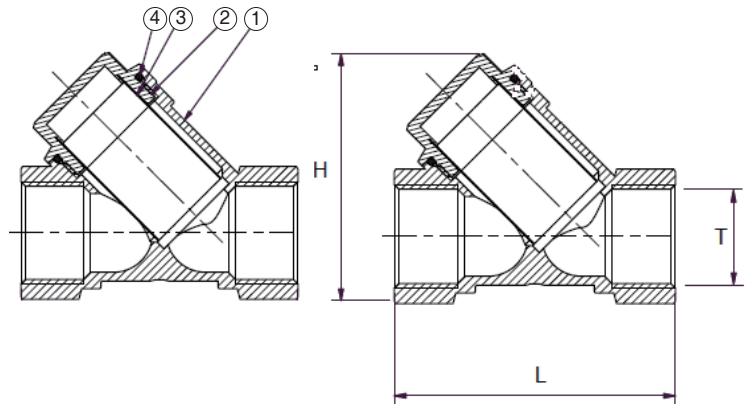
Material

NO.	Component	Material	Standard
1	Body	BRASS	HPb59-1
2	Bonnet	BRASS	HPb59-1
3	Screen	SS	304
4	O-Ring	NBR	

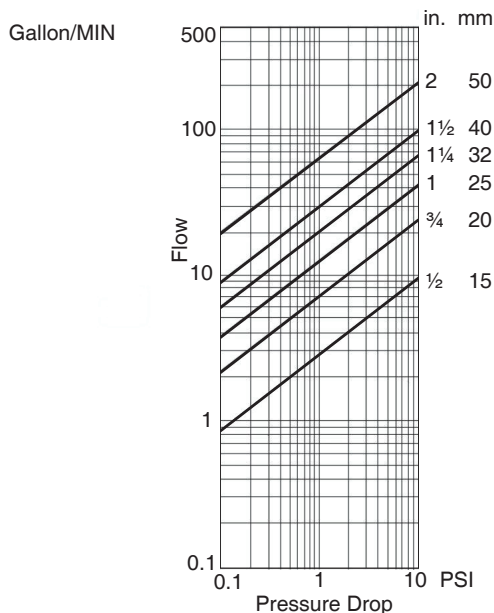


Specification

- Connection Standard: Threaded NPT to ASME B1.20.1
BSPT to BS 21
- Mesh Number: 30
- Medium: water, oil and gas



Characteristic Curve



Installation Dimensions

Connection Dimensions: ASME B1.20.1/ BS 21

Size		DN(mm)			Weight (g)
DN	mm	L	H	T	
1/2"	15	59	49	1/2"NPT/BSPT	173
3/4"	20	65.5	64	3/4"NPT/BSPT	300
1"	25	79	68.6	1"NPT/BSPT	400
1 1/4"	32	97	89	1 1/4"NPT/BSPT	700
1 1/2"	40	107	101.5	1 1/2"NPT/BSPT	900
2"	50	128	115.6	2"NPT/BSPT	1300

Watts reserves the right to change or modify product design, construction, specifications, or materials without prior notice and without incurring any obligation to make such changes and modifications on Watts products previously or subsequently sold.