

Brass Globe Valve (W-WB251)

◆ Application:

The Watts W-WB251 Brass Globe Valve is designed to realize the on-off of pipeline system. It's generally used in petroleum, chemical engineering, metallurgy and water treatment, etc.

◆ Features:

1. Small working stroke, short on-off time;
2. Small volume, simple structure, and convenient manufacture and maintenance;
3. Good sealing performance, small friction between the sealing surfaces, long service life.



◆ Operating Principles:

Driving valve stem rely on the hand wheel to exert pressure downward, the sealing surface of valve disc and seat fit closely, preventing medium flow.

◆ Technical Specification:

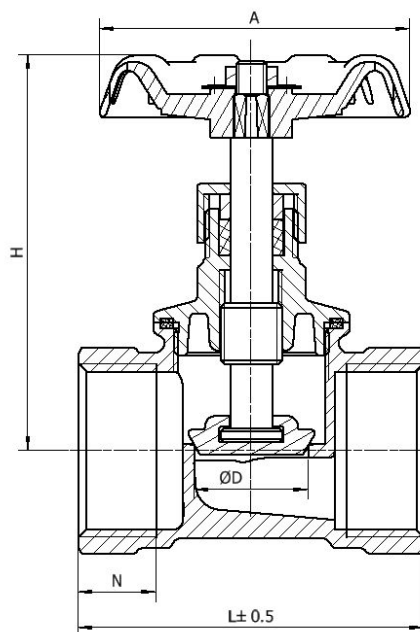
Nominal Diameter:	1/2"~2" (DN15-DN50)
Nominal Pressure:	PN25
Working Temperature:	0°C~120°C
Fluid Medium:	Water, oil and gas
Test Standard:	GB/T 13927-2008

◆ Material:

Part	Body	Bonnet	Screw Rod	Hand Wheel	Upper Sealing
Material	Brass	Brass	Brass	Cast Iron	PTFE

◆ Installation Dimensions:

Connection Dimension: GB/T 7307;



Size	L	N	D	H	A
1/2	47.5	12	Φ12.7	69	Φ50
3/4	54	13	Φ17	80	Φ54
1	67	15	Φ22	88	Φ62
1 1/4	76.5	16.5	Φ27	107.4	Φ69
1 1/2	86	17	Φ34	116.3	Φ75
2	102	19	Φ44	131.8	Φ84

◆ Typical Application:

- 1、 Water plant and water source project;
- 2、 Environmental protection;
- 3、 Municipal facilities;
- 4、 Electric power and utilities;
- 5、 Construction industry;
- 6、 Petroleum & Chemical industry;
- 7、 Steel & Metallurgy;
- 8、 Papermaking industry.

◆ Installation Instructions:

- (1) The valve's rated parameters should match the equipment's. Make sure that the valve's rated flow satisfies the actual demand;
- (2) The installer must be trained or experienced so as to operate the installation correctly;
- (3) A thorough check after installation is needed to ensure no errors;
- (4) A thorough cleaning before installation is needed (chemical reagent can be applied if it is necessary) to ensure that there is not any rusting or dirt in the pipe. All the filters must be removed before washing to keep the pipe smoothly open;
- (5) When beginning to wash the system, it is suggested to install the valve on a temporary pipe. After finishing system cleaning, move the valve back and install it on the system's pipe;
- (6) Use threaded connector that meets the standard to connect the valve;
- (7) When installation, please pay attention to the flow direction of medium.