

## Series W-TDV-16Q/25Q

### Constant-flow Multi-Functional Valve

#### Size: DN50-DN500

This valve can substitute the outlet stop, throttling and check valves, so achieving one valve for multiple purposes. The Watts W-TDV Series multi-functional valves is designed for petroleum, chemical, metallurgical, water treatment and other industries industrial applications.

#### Features

- An opening indicator showing the opening and closing degree(s) of the valve
- Closing by operating the hand wheel
- Self-sealing measure nipple
- Excellent adjustment performance

#### Pressure-Temperature

- Nominal Pressure: PN16/PN25
- Temperature Range: -20°C~120°C

#### Material

Component	Material	Standard
Body	Duction Iron	
Disc	Duction Iron	
Stem	Stainless Steel	420
Spring	Stainless Steel	304
Gasket	EPDM	
Handwheel	Cast Iron	

#### Installation Dimensions

SIZE	L(mm)	H1(mm)	H2(mm)	W(mm)		Weight(kg)	
				DN16	DN25	DN16	DN25
DN50	205	267	285	165	165	12.0	12.5
DN65	229	276	294	185	185	15.0	16.0
DN80	250	267	285	200	200	18.0	19.5
DN100	320	319	341	220	235	26.0	28.0
DN125	370	346	377	250	270	35.0	39.0
DN150	415	373	407	285	300	51.0	55.0
DN200	500	582	636	340	360	88.5	92.0
DN250	605	629	693	405	425	121.0	126.0
DN300	725	681	753	460	485	213.0	219.0
DN350	733	717	797	520	555	255.0	264.0
DN400	990	1010	1094	580	620	460.0	469.0
DN450	1000	1025	1138	640	670	535.0	545.0
DN500	1100	1110	1237	715	730	682.0	693.0



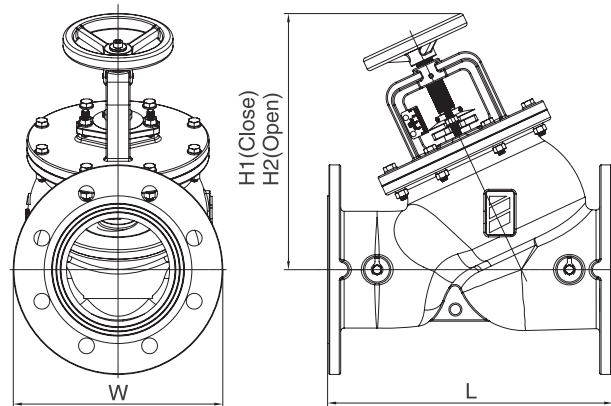
#### Specification

- Test Standard: GB/T 13927-2008
- Connection Standard: GB/T 17241.6 EN1092-2
- Connection Type: Flange Type
- Working Medium: Water, glycol

#### Operating Principles

The body is equipped with a quick closing spring, which adopts the quick-closing principle to prevent water-hammering, protect against medium backflow, and to achieve silent closing.

There is an opening indicator, which can be used to adjust the output of the pump by adjusting the opening degree. By closing the stem, medium can be cut off. Therefore, this valve can function as a stop valve.



## Product Parameters

Type	Size DN	Kvs	Product Code
W-TDV050-16Q	DN50	59.5	616P7054
W-TDV050-25Q			616P7055
W-TDV065-16Q	DN65	81.9	616P7059
W-TDV065-25Q			616P7060
W-TDV080-16Q	DN80	102.4	616P7064
W-TDV080-25Q			616P7065
W-TDV100-16Q	DN100	169.0	616P7069
W-TDV100-25Q			616P7070
W-TDV125-16Q	DN125	341.9	616P7074
W-TDV125-25Q			616P7075
W-TDV150-16Q	DN150	409.4	616P7079
W-TDV150-25Q			616P7080
W-TDV200-16Q	DN200	797.0	616P7084
W-TDV200-25Q			616P7085
W-TDV250-16Q	DN250	1150.0	616P7089
W-TDV250-25Q			616P7090
W-TDV300-16Q	DN300	1774.0	616P7094
W-TDV300-25Q			616P7095
W-TDV350-16Q	DN350	2538.0	616P7099
W-TDV350-25Q			616P7100
W-TDV400-16Q	DN400	2645.0	616P7120
W-TDV400-25Q			616P7105
W-TDV450-16Q	DN450	2795.0	616P7125
W-TDV450-25Q			616P7110
W-TDV500-16Q	DN500	4791.0	616P7130
W-TDV500-25Q			616P7115

## Kvs Valve

	DN50	DN65	DN80	DN100	DN125	DN150	DN200	DN250	DN300	DN350	DN400	DN450	DN500
10%	5.3	7.0	5.1	8.5	12.5	33.2	37.0	122.7	91.6	-	-	-	-
20%	10.5	7.8	5.4	14.4	14.4	42.0	46.2	146.6	101.4	120.9	182.4	186.1	255.6
30%	16.7	8.8	5.5	15.6	19.4	50.2	60.8	253.0	117.8	134.9	228.5	262.9	334.6
40%	22.7	10.4	6.1	16.5	28.3	67.8	54.5	392.8	167.5	213.8	314.5	413.2	456.9
50%	30.3	13.0	7.7	17.7	43.6	92.8	125.5	513.8	264.4	366.0	499.1	667.0	652.7
60%	36.5	16.8	10.7	20.5	74.7	134.9	183.7	652.4	389.2	635.3	785.7	1090.7	933.0
70%	41.3	22.5	17.1	26.4	108.1	177.2	271.9	757.3	523.7	942.9	1087.4	1479.7	1381.5
80%	44.3	30.3	25.7	41.3	141.7	225.6	373.7	881.8	721.5	1254.0	1464.1	1947.9	1975.7
90%	46.2	38.9	41.1	61.7	175.4	291.7	480.6	974.3	910.3	1541.7	1814.3	2492.1	2647.0
100%	47.1	48.5	53.5	86.6	219.1	331.4	599.8	1063.9	1063.9	1858.8	2084.1	2967.1	3352.4